

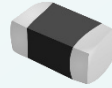
Multilayer Technology

Wire Wound Technology

Ferrite

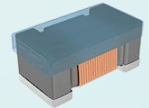
SDFL

(Size:1005-3216 mm)
Inductor for signal line.



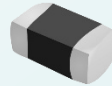
WL-FS

(Size:1005-1608 mm)
Small size, low inductance, high S.R.F.
Inductor for signal line, mobile phone, video cameras and other electronic devices.



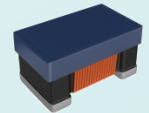
MCL-N

(Size:1005-1608 mm)
Inductor for NFC output filtering and matching circuit, Power line.



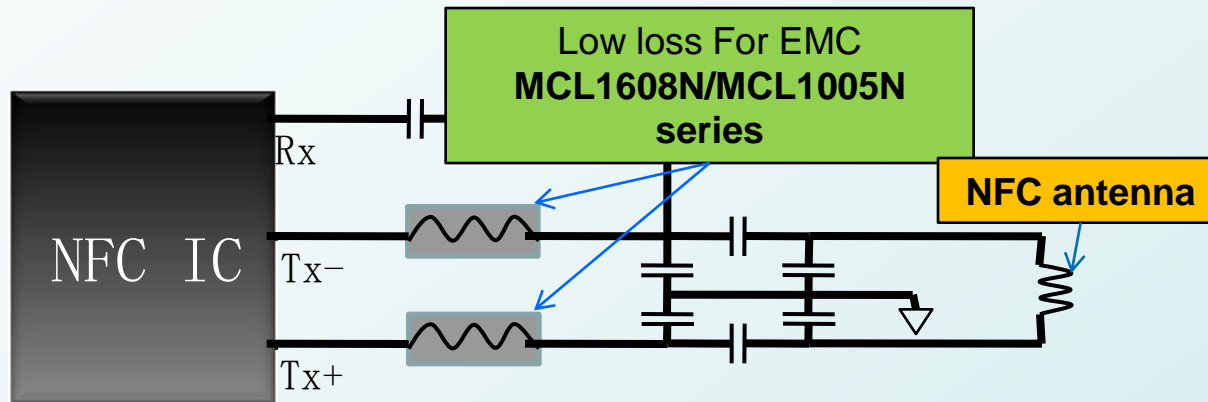
SDWL-FW

(Size:2012-3225 mm)
Large size, high inductance, low S.R.F.
Inductor for signal line, TV, video cameras and other electronic devices.

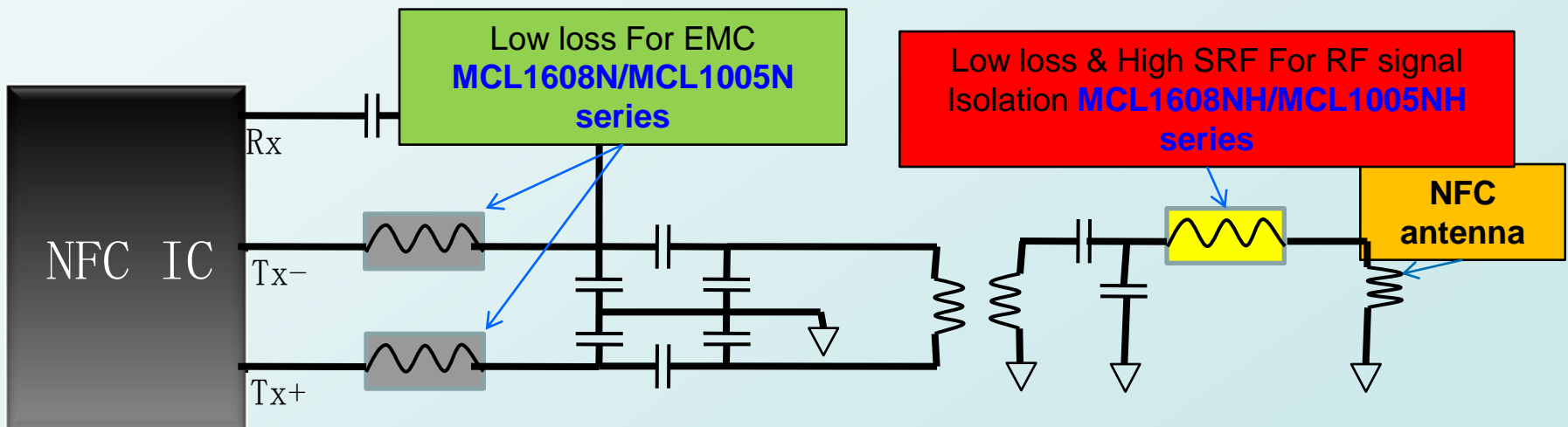


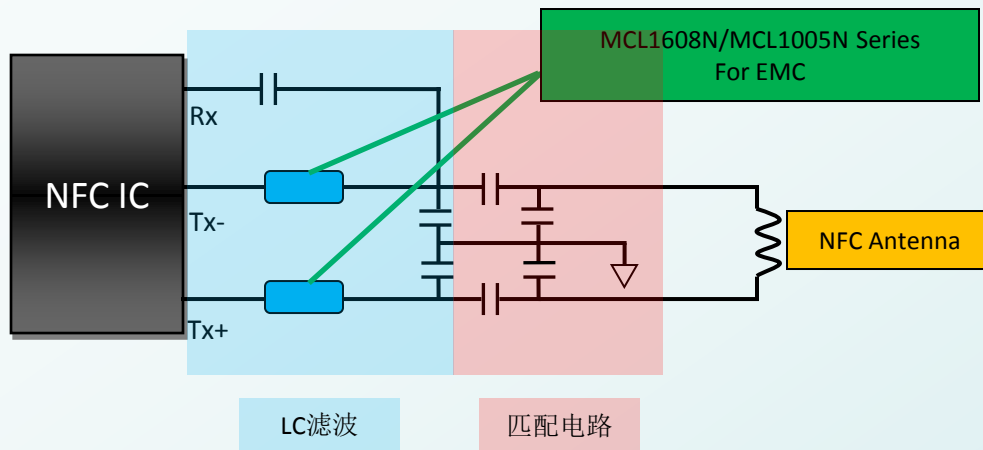
外观	系列	尺寸 mm(inch)	电感范围 (μ H)	额定电流 (mA)
	SDFL1005	1005 (0402)	0.047-3.3	10-25
	SDFL1608	1608 (0603)	0.047-33	1-50
	SDFL2012	2012 (0805)	0.047-47	4-300
	SDFL3216	3216 (1206)	0.047-47	5-300
	MCL1005N	1005 (0402)	0.16~0.56	250~400
	MCL1608N	1608 (0603)	0.16~0.56	400~700
	WL1005FS	1005 (0402)	0.018-2.2	170-2200
	WL1608FS	1608 (0603)	0.0049-22	70-2600
	SDWL2012FW	2012 (0805)	0.27-68	40-350
	SDWL2520FW	2520 (1008)	0.33-10	300-700
	SDWL3216FW	3216 (1206)	1.5-18	130-320
	SDWL3225FW	3225 (1210)	0.12-12	140-450

[Differential mode] : Plastic or Ceramic case



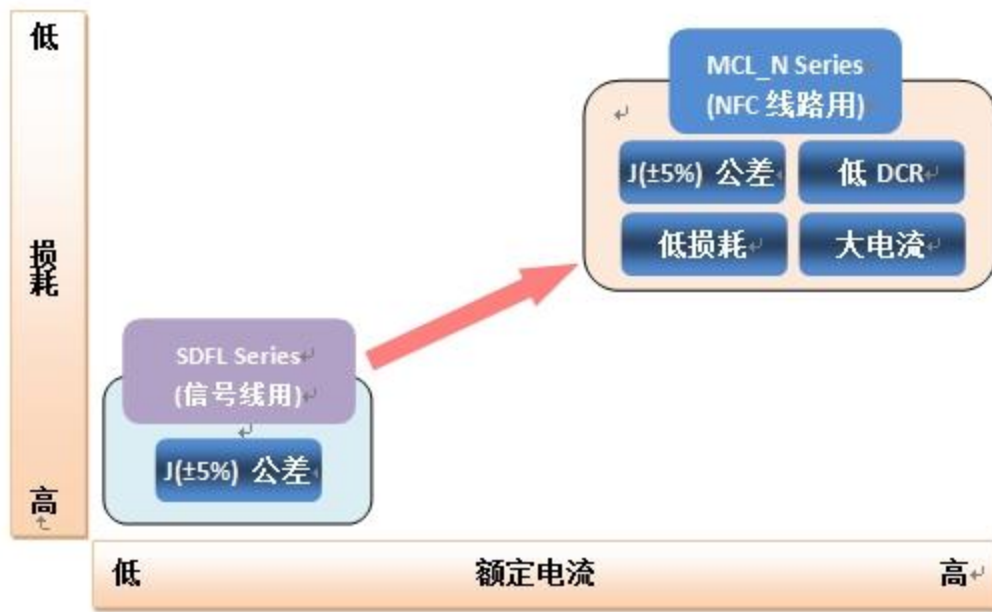
[Single-end mode] : Use Metal case or Metal frame for NFC antenna





应用说明:

1. NFC电感用途在于NFC线路里面和电容组成LC低通滤波器，主要滤除由13.56MHz晶振产生的高次谐波。
2. 由于LC滤波器离匹配电路较近，电感量的波动会影响匹配效果，由此需要对电流变化不敏感的高精度电感。

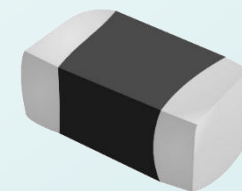


顺络NFC用电感-MCL-N

Sunlord
EXPERT IN PASSIVE PARTS

特征：

- ✓ ±5%电感量公差
- ✓ 低DCR
- ✓ 低损耗
- ✓ 大电流（耐饱和）



Part Number	Inductance	Max. DC Resistance	Max. Rated Current	Min. Self-resonant Frequency
MCL1005NR16JT	160±5%	0.52Ω	400mA	200MHz
MCL1005NR56JT	560±5%	1.4Ω	250mA	120MHz
MCL1608NR16JT	160±5%	0.156Ω	700mA	200MHz
MCL1608NR56JT	560±5%	0.52Ω	400mA	120MHz